



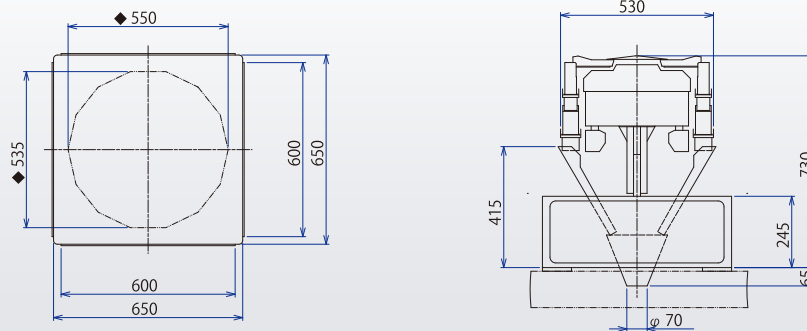
CCW-RV-214W-1S/005-SS-LI

Micro is a 14-head weigher that handles ultra-low target weights at high speeds and with unsurpassed accuracy.

Micro delivers precise target weights from 0.5 to 50g at speeds of up to 120 weighments per minute, making it ideal for handling applications such as

- tea leaves
- soup ingredients
- dehydrated vegetables
- spices and herbs
- tablets and capsules

Dimensions



Specifications	CCW-RV-214W-1S/005-SS-LI
Weighing Capacity/Range (per head)	Up to 40g depending on range setting
Maximum Volume for Weighing	75cc
Minimum Graduation*	0.01g
Weighing Speed (Max)**	120wpm
Touch Screen Display (RCU)	12.1" TFT Colour LCD
Weigh Cell	Double-beam strain gauge load cell
Number of Presets	200 items
Material	Product surfaces are made of stainless steel or other sanitary materials
Structure of Body	IP50 Approval
Air Consumption***	No compressed air is required unless using pneumatic driven options
Power Consumption	200 - 240V 0,25kW 50/60Hz (External transformer will be needed for 380, 400, 415, 440, 460, 480V)

Design and specifications are subject to change without notice.

* Depends on target weight, weighing speed and conditions

** Depends on product shape, product density, target weight, etc.

*** Contact Ishida if you need any further information or assistance.

Micro features and benefits

Ishida has a 120-year history of weighing innovation with more multihead weighers installed for more applications than any other supplier. Micro advances this tradition with unique technology that delivers the most flexible production solution within the smallest footprint, delivering the highest productivity and lowest product give away.



Less floor space and more line layout flexibility

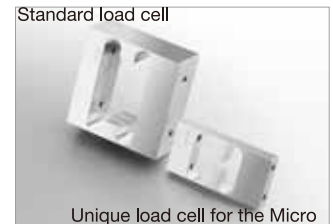
Micro performs within a small footprint of just 650 x 650mm. Maximum height is only 970mm (a quarter of the space of a standard multihead weigher).

Flexible configurations are available such for a two or four discharge pattern.

Optional off-set design permits close placement of two or four Micro weighers for multi-product weigh blending or applications requiring multiple discharge outlets.

Faster and more accurate than ever before

Micro delivers unbeatable weighing accuracy at speeds up to 120 wpm. The Ishida designed and manufactured load cell measures as low as 0.01g load increments. This enables very low combination weights to be selected for target weights as low as 0.5g.



Minimal gaps at product transfer points

Easier to clean, simpler to operate

Troughs, hoppers and chutes are removable without using tools to make cleaning quick and easy. With minimal space between the main body and discharge chutes, the Micro design minimizes product spillage during production.

An interactive 3D menu with simple icons and a bright 12.1" TFT color LCD touch screen makes machine operation easy to understand and control.



- Easy data exchange using a USB memory stick
- Flexible connectivity for Ethernet communication
- Connectivity for SCADA (Supervisory Control And Data Acquisition)

Enhanced Product Handling

Micro features the same advanced technologies as Ishida RV weighers. The dispersion table incorporates a highly sensitive weighing sensor to assure smooth, and precise automatic product feed. Stable and reliable stepper motor drives enable the highest weighing speeds and operating efficiency.



ISHIDA CO., LTD. www.ishida.com

44 Shogoin Sannocho, Sakyo-ku,
Kyoto, 606-8392, Japan
Tel: +81 (0)75 751 1618 Fax: +81 (0)75 751 1634



HEAT AND CONTROL, INC. www.heatandcontrol.com

21121 CABOT BLVD. HAYWARD, CA 94545-1132 USA
info@heatandcontrol.com